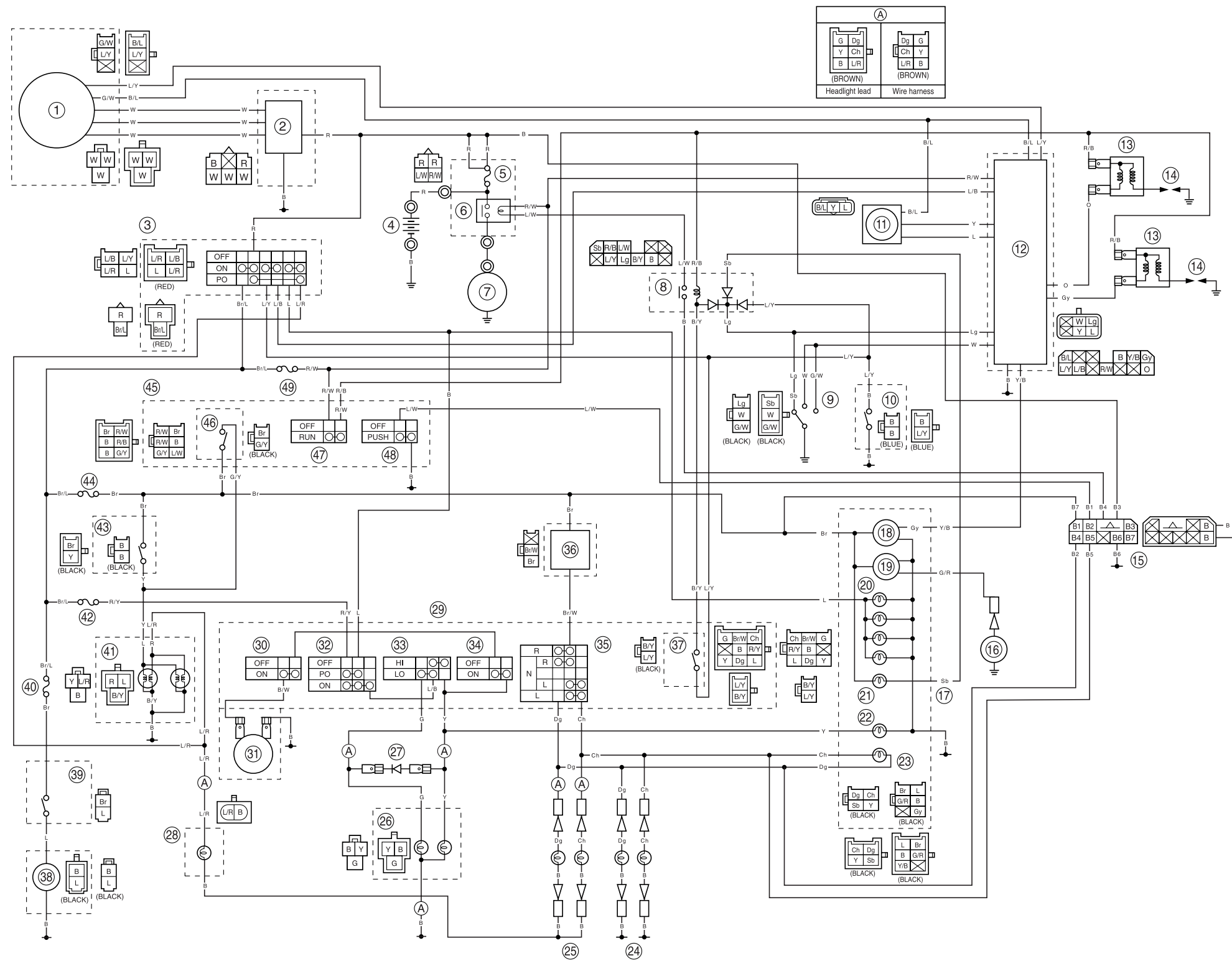


TDM850 '97 WIRING DIAGRAM (EXCEPT FOR CH, A)



- ① A.C. magneto/pickup coil
- ② Rectifier/regulator
- ③ Main switch
- ④ Battery
- ⑤ Main fuse
- ⑥ Starter relay
- ⑦ Starter motor
- ⑧ Starting circuit cut-off relay
- ⑨ Gear position switch
- ⑩ Sidestand switch
- ⑪ T.P.S. (throttle position sensor)
- ⑫ Ignitor unit
- ⑬ Ignition coil
- ⑭ Spark plug
- ⑮ Accessory coupler
- ⑯ Thermo unit
- ⑰ Meter assembly
- ⑱ Tachometer
- ⑲ Water temperature meter
- ⑳ Meter light
- ㉑ Neutral indicator light
- ㉒ High beam indicator light
- ㉓ Turn indicator light
- ㉔ Rear flasher light
- ㉕ Front flasher light
- ㉖ Headlight
- ㉗ Diode
- ㉘ Auxiliary light
- ㉙ Left handlebar switch
- ㉚ Horn switch
- ㉛ Horn
- ㉜ Lights switch
- ㉝ Dimmer switch
- ㉞ Pass switch
- ㉟ Turn switch
- ㊱ Flasher relay
- ㊲ Clutch switch
- ㊳ Fan motor
- ㊴ Thermo switch
- ㊵ Radiator fan fuse
- ㊶ Tail/brake light
- ㊷ Headlight fuse
- ㊸ Rear brake switch
- ㊹ Signal system fuse
- ㊺ Right handlebar switch
- ㊻ Front brake switch
- ㊼ Engine stop switch
- ㊽ Start switch
- ㊾ Ignition fuse

COLOR CODE

B Black	L Blue	Y Yellow	Br/W .. Brown/White	L/W ... Blue/White
Br Brown	Lg Light green	B/L Black/Blue	G/R ... Green/Red	L/Y ... Blue/Yellow
Ch Chocolate	O Orange	B/R.... Black/Red	G/W ... Green/White	R/B... Red/Black
Dg Dark green	R Red	B/W ... Black/White	G/Y ... Green/Yellow	R/W ... Red/White
G Green	Sb Sky blue	B/Y Black/Yellow	L/B Blue/Black	R/Y.... Red/Yellow
Gy Gray	W White	Br/L ... Brown/Blue	L/R Blue/Red	